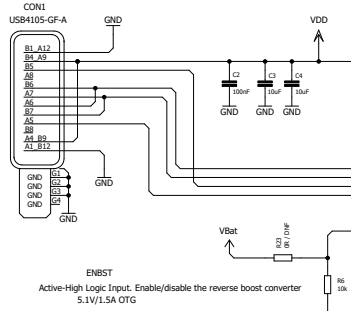
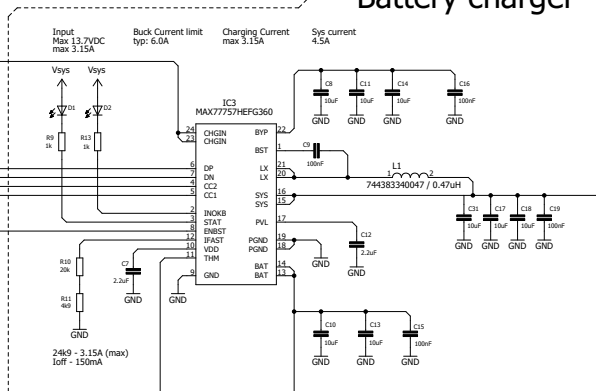


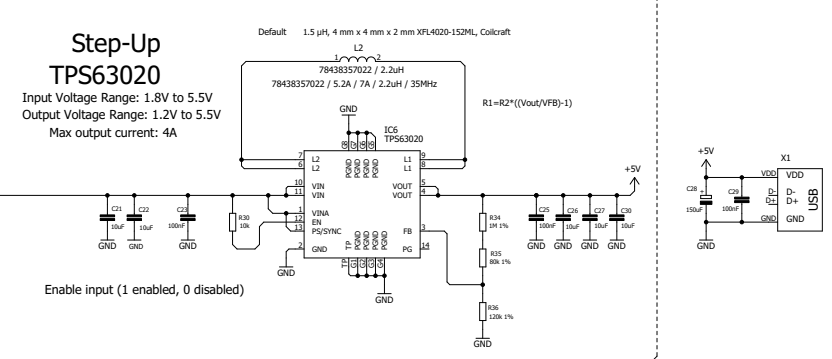
USB Type C



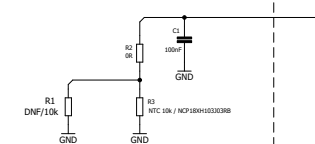
Battery charger



Step Up/Down

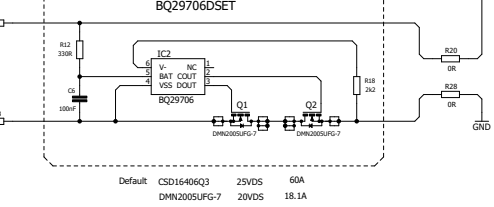


LiFePo4



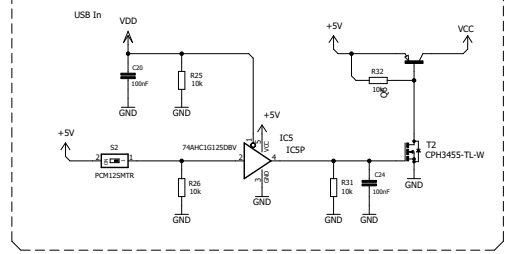
	OVP	UVP
BQ29700	4.275	2.500
BQ29701	4.275	2.500
BQ29706	3.850	2.500
BQ29717	4.275	2.500
BQ29718	4.275	2.500
BQ29721	4.275	2.500
BQ29722	4.275	2.500

BCM

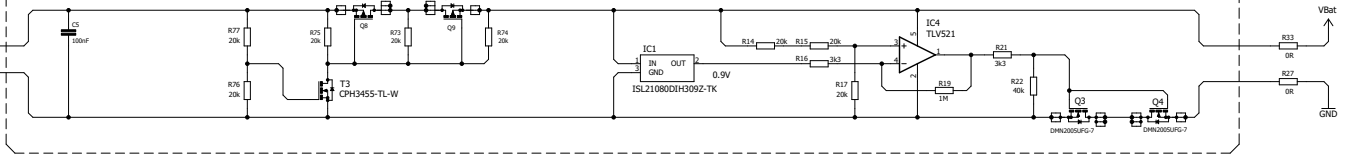


ANR2650
Max Charging Current 2500mA
Operating temp 10k (4C)
-30C to 55C

ON/OFF LED



BCM



~~LT8900C125TRCT3~~
VIN: 2.7 to 5.5VDC
800nA
1.5V = 1.25V

ISL21080DIH3092-TK
VIN: 2.0 to 5.5VDC
1.5uA
309 = 0.9V

MAX6018AELR12+T
5uA

LT6656BIS6-1.25#TRMPBF
VIN: 2.51 to 18VDC
850nA

ZR431F01TA

